

## Technical Data Sheet

### Vergokan Clickable Cable Tray

#### Catalogue Nos:

VCT series

#### Product Description:

A new generation of clickable trays available in 100mm, 150 and 300mm in width. A range of shapes and accessories are available to suite a wide range of applications

#### Features:

- The simplest jointing system, with a single movement.
- Rapid - Just click and ready for the next joint.
- Simple alignment of trays
- Strong - As strong as a bolted joint
- Cost-effective - Working faster results in immediate time and cost savings.
- Wide range of accessories.
- Etched perforations for:
  - Extra stability
  - Better cooling
  - Many options to tie cables
  - Better fixing support
- Smooth finish



#### Standards:

AS1397 - Continuous hot-dip metallic coated steel sheet and strip

IEC 61537:11.1.2 for Electrical Continuity

AS/NZS3013 - Fire Rate (see page 6)

#### Finishes:

Pre-Galvanised: Galvabond

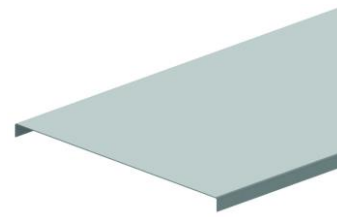
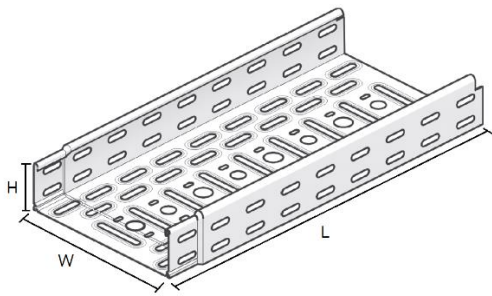
#### Applications:

- Data Centres
- Carparks
- Renewables
- Infrastructure
- Commercial buildings
- Shopping Centres
- Warehouse & distribution

## Technical Data Sheet

### Dimensions:

#### Tray - Clickable



Cover

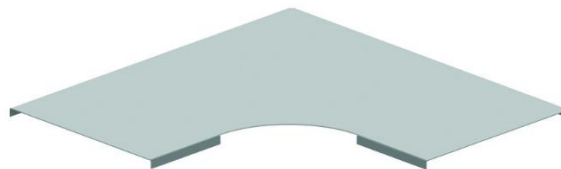
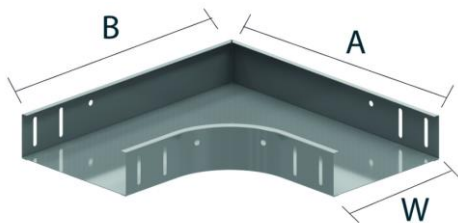


Fast Joining cover clip

(Ordered separately)  
6 required per cover  
Cat No: VCTFCC  
Mat No: 4042442

Cat No	Mat No	W	H	L	Cover Cat No	Mat No
VCT.100	4041158	100mm	60mm	3m	VCTC.100	4042371
VCT.150	4041159	150mm	60mm	3m	VCTC.150	4042336
VCT.300	4041161	300mm	60mm	3m	VCTC.300	4041181

#### Bend



Cover



Fast Joining cover clip

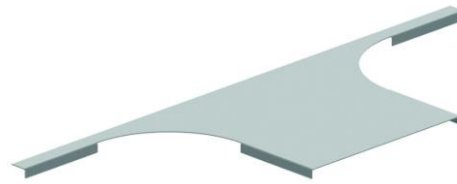
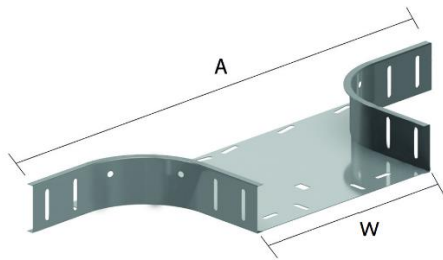
(Ordered separately)  
4 required per cover  
Cat No: VCTFCC  
Mat No: 4042442

Cat No	Mat No	W	A&B	Cover Cat No	Mat No
VCTB90.100K	4042151	100mm	305mm	VCTB90C.100	4041182
VCTB90.150K	4042150	150mm	355mm	VCTB90C.150	4041183
VCTB90.300K	4042152	300mm	505mm	VCTB90C.300	4041184

Bend is supplied complete with Bolts & Nuts

# Technical Data Sheet

## Tee adaptor



Cover



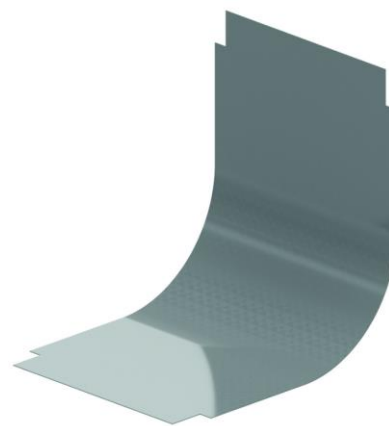
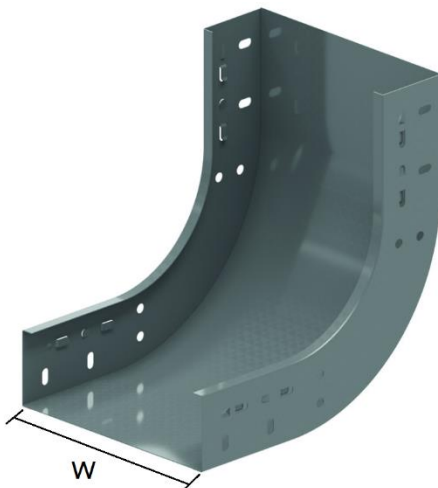
Fast Joining cover clip

Cat No	Mat No	W	A	Cover Cat No	Mat No
VCTTEE.100K	4042153	100mm	508mm	VCTTEEC.100	4041185
VCTTEE.150K	4042154	150mm	558mm	VCTTEEC.150	4041186
VCTTEE.300K	4042155	300mm	708mm	VCTTEEC.300	4042372

(Ordered separately)  
4 required per cover  
Cat No: VCTFCC  
Mat No: 4042442

Tee is supplied complete with Bolts & Nuts

## Internal Riser - Snap-in



Cover



Fast Joining cover clip

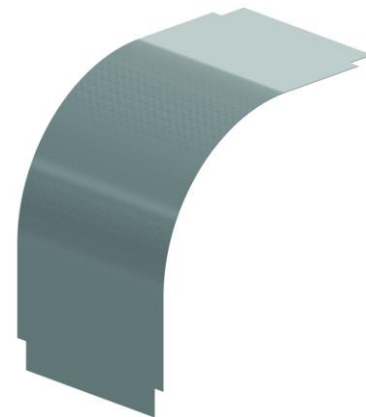
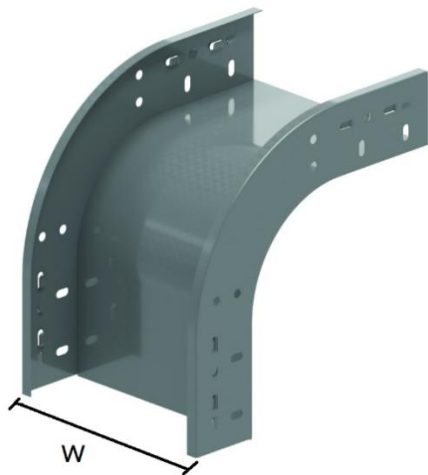
Cat No	Mat No	W	Cover Cat No	Mat No
VCTIR.100	4042396	100mm	VCTIRC.100	4042373
VCTIR.150	4042397	150mm	VCTIRC.150	4042374
VCTIR.300	4042398	300mm	VCTIRC.300	4042375

(Ordered separately)  
4 required per cover  
Cat No: VCTFCC  
Mat No: 4042442

Radius: 100mm

# Technical Data Sheet

## External Riser – Snap-in



Cover



Fast Joining cover clip

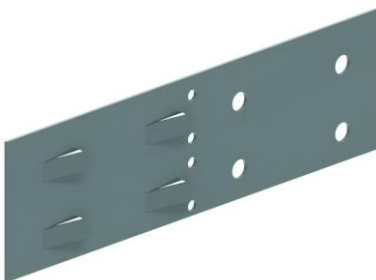
Cat No	Mat No	W	Cover Cat No	Mat No
VCTER.100	4042399	100mm	VCTERC.100	4042376
VCTER.150	4042400	150mm	VCTERC.150	4042377
VCTER.300	4042401	300mm	VCTERC.300	4042378

Radius: 100mm

(Ordered separately)  
4 required per cover  
Cat No: VCTFCC  
Mat No: 4042442

### Accessories:

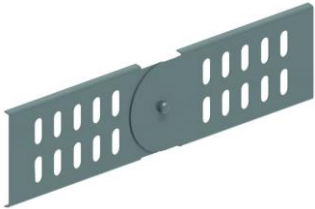
#### Fast joining splice plate kit



Cat No	Mat No	Description
VCTFJ60K	4042157	Kit comprises of two fast joining splice plates and 8 bolts & nuts. To provide a clickable solution when cutting a tray to specific lengths

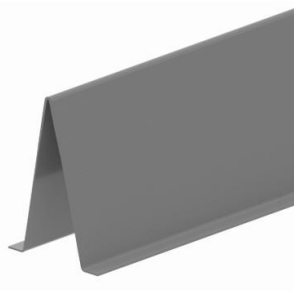
## Technical Data Sheet

### Vertical hinged joining splice plate kit



Cat No	Mat No	Description
VCTFJ60K	4042158	Kit comprises of two vertical hinged joining splice plates and 16 bolts & nuts.

### Snap-in partition kit



Partition clips (supplied)

Cat No	Mat No	Description
VCTPARTK	4042156	3m lengths and supplied with 3 x partition clips

## Technical Data Sheet

### Load rating & Deflection:

Deflections mm	10mm	20mm	25mm	35mm
Span 1.5 meters				
Span 2.0 meters				
Span 2.4 meters				
Span 3.0 meters				
<b>Allowable Load</b>	125kg/m	75kg/m	50kg/m	35kg/m

Note: The deflections have been provided as a guide based on CONTINUOUS spans.

### Fire-Load Rating

The load rating under fire testing conditions is 6.0kg/m at 1m spans.

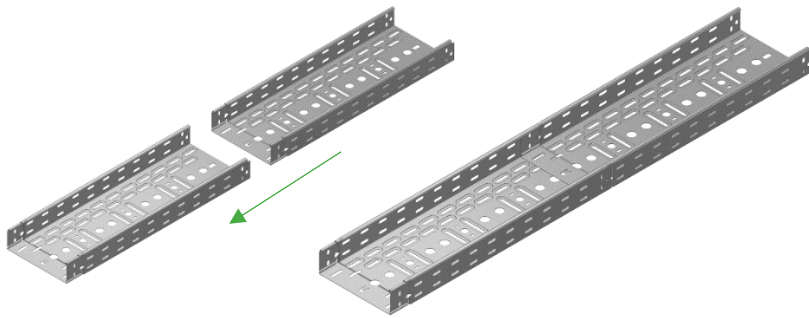
**Note:** For the Tray to be compliant to AS/NZS3013, bolts must be used to ensure adjoining trays remain joined under the harsh fire conditions. The Tray must be mechanically secured to fire rated Cantilever or Trapeze brackets.

Please contact your Atkore representative should you need support and/or engineering certificate advise on Fire Rated installations.



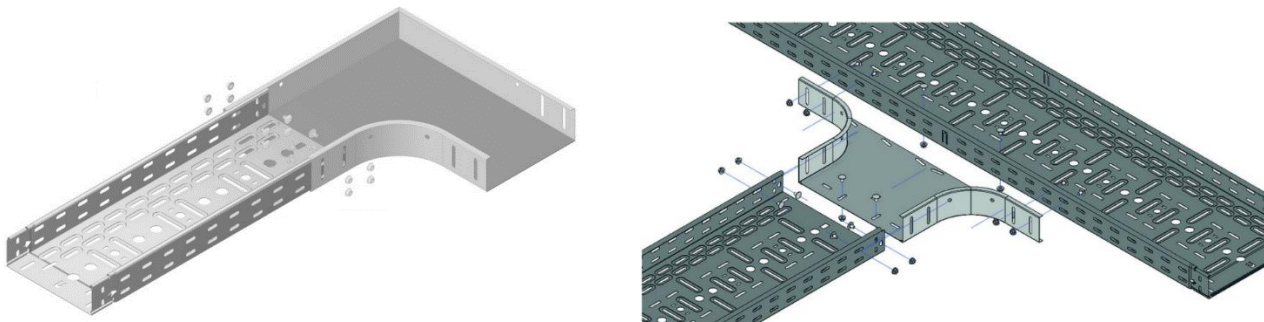
## Technical Data Sheet Installation:

### Tray



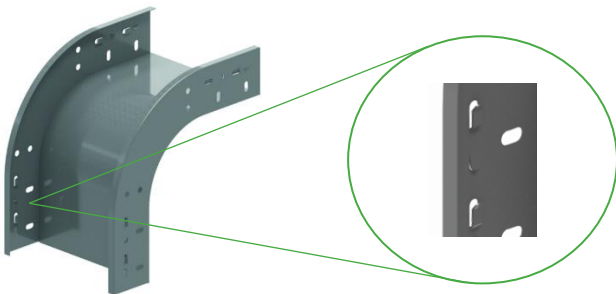
1. Slide two lengths into each other and click into position

### Bend & Tee adaptor



1. Align onto the tray
2. Fix into position with supplied screws

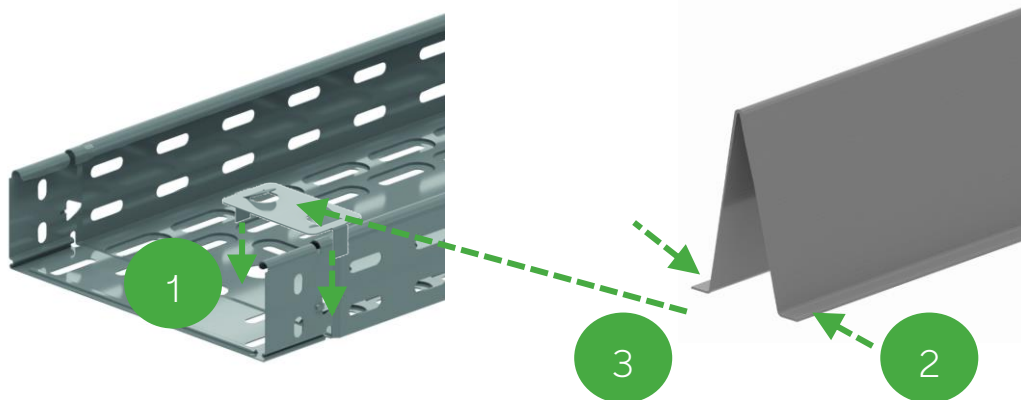
### Internal & External Risers – Snap-in



1. Align onto the tray and snap into position

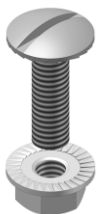
## Technical Data Sheet

### Snap-in Partition



1. Align partition clip onto the tray (one clip per meter, 3 clips supplied with each unit), bed the tabs to lock partition clips into position onto the tray
2. Compress the partition together
3. Fit inside partition clip tabs and release partition to snap into position

### Spare bolt & nut kit



Cat No	Mat No	Description
VCTB0610	4042379	Spare cup head bolt/flange nut 8pk ZP

ZP - Zinc plated